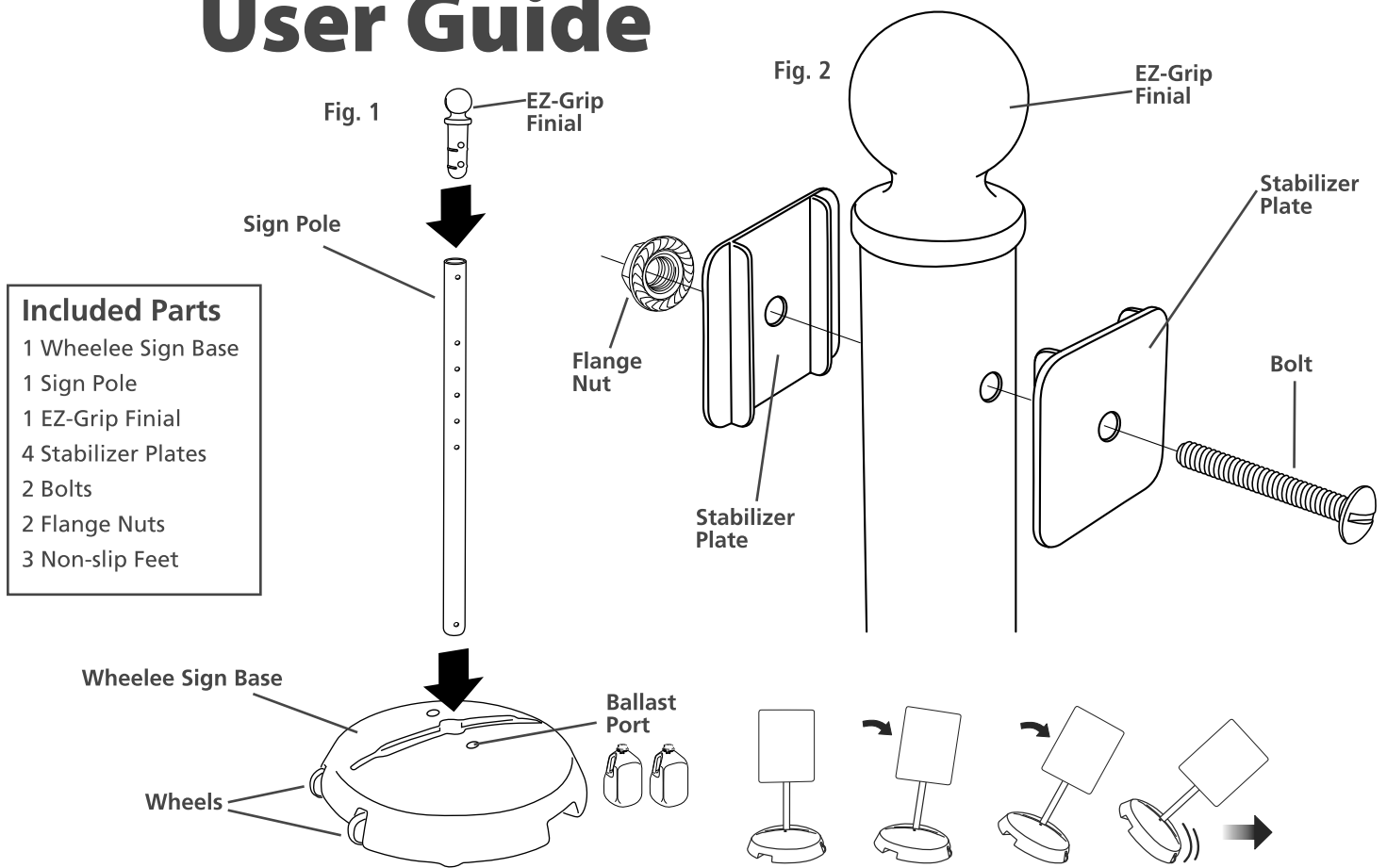


Tip 'n Roll™ Portable Pole Sign User Guide



1. Install the 3 no-mar anti-slip Feet into holes on bottom of Base, pressing drive pin in completely to lock the foot into the hole.
2. Insert Sign Pole into center hole of Base using a twisting motion while pressing down. Make sure the end of the pole with the 6 mounting holes is facing up with holes perpendicular to slot, see Fig 1.
3. Remove the Ballast Port Plug and add 1.5 - 2 gallons of water to the base for stability, then reinstall the Ballast Port Plug. Do Not exceed 3 gallons. Salt or RV anti-freeze can be added to prevent freezing. 10 - 15 lbs of sand can be substituted for water.
4. Insert the EZ-Grip Finial into the top of the Sign Pole and align the holes in the pole with the holes in the Finial. Most signs require the Finial to be inserted all the way. For signs with the hole 3" from the top of the sign use the bottom hole on the Finial.
5. Attach the top of the sign face to the top hole in the Sign Pole using the hardware provided. Make sure to place the Stabilizer Plate between the back of the sign and the Sign Pole with the flat side facing the sign and the rails running along the length of the pole. The Mounting Bolt will go through the pole and finial. Attach a Stabilizer Plate to the end of the Mounting Bolt projecting out of the Sign Pole and finger-tighten the Flange Nut.
6. Attach the bottom of the sign face to the Sign Pole using the hardware provided following the same directions in step 2. You may have to wiggle the sign to align the holes that are 3" on center starting 9" from the top hole.
7. Tighten Flange Nut snugly. Do Not overtighten, crush or distort the Sign Pole. The Flange Nut have serrations that will hold tight.
8. For 2-sided signs place the second sign face between the back Stabilizer Plate and the Flange Nut. For thick sign panels a longer 5/16 bolt may be required.
9. To move the sign simply grip the EZ-Grip Finial, tip the sign on its recessed wheels and roll the sign in, out or about.

NOTE: The Tip 'n Roll™ Portable Pole Sign accommodates all stock street, safety, directional and other signs from 9" x 12" to 24" x 24" along with custom shaped sign panels and POP pole signs that attach with zip ties.

CAUTION: Tip 'n Roll™ Portable Pole Signs are designed to withstand winds up to 30-40 mph. In the event of higher winds, bring the sign inside or add more ballast.